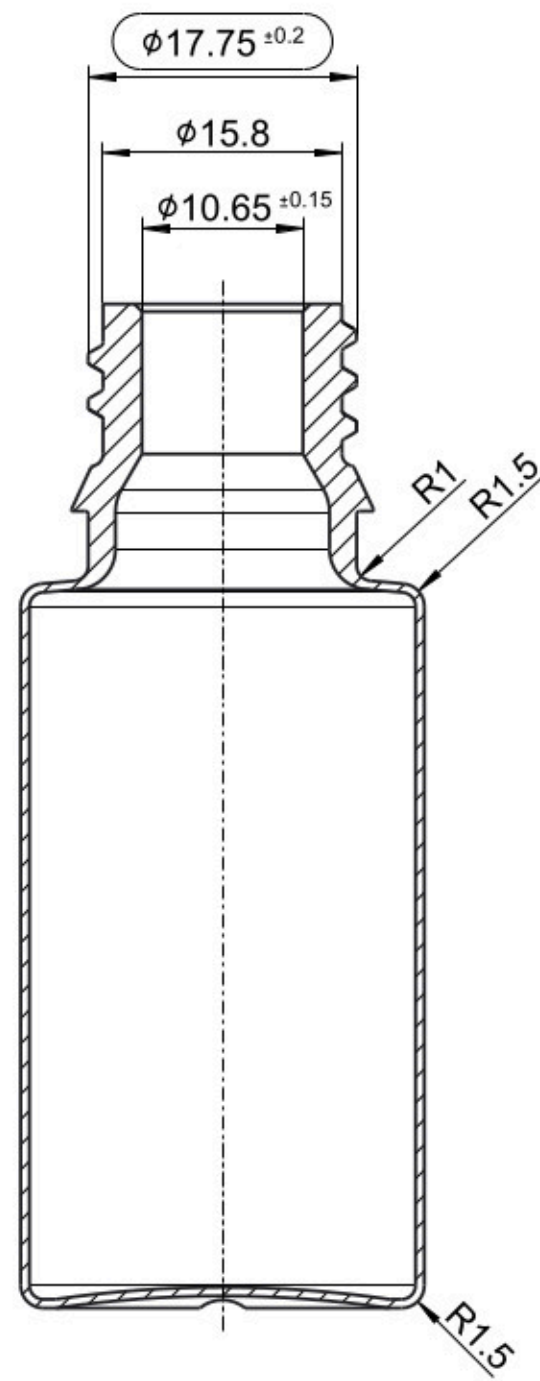
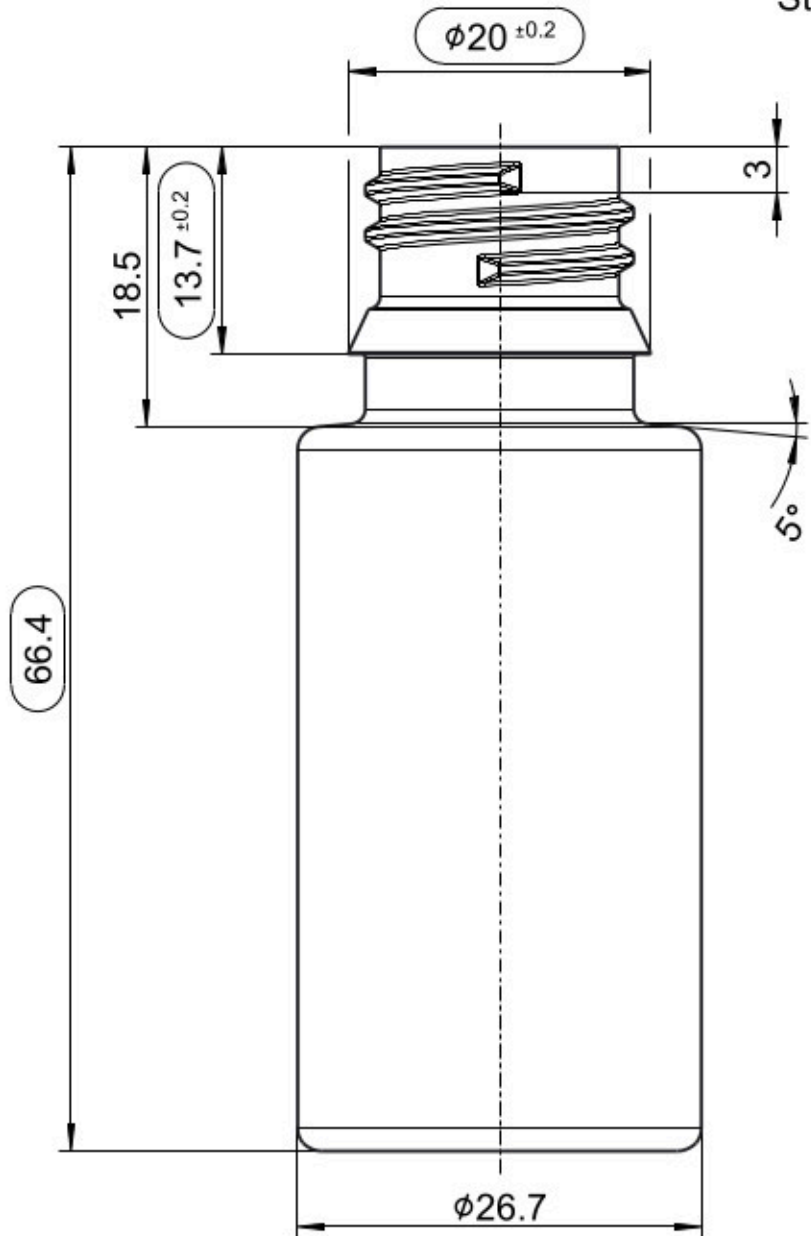


1:1

Nutzenbezeichnung

Steigung 3mm



A-A

Diese Zeichnung ist unser geistiges Eigentum und darf Dritten nicht zur Verfügung gestellt werden

Prüfmasse

Gewicht

-	-	Stammwz.	-
-	-	Einsatz	-
-	-	Kavitäten	4
-	-	NV [ml]	20
-	-	RV [ml]	25 ± 2
-	-	Gewinde- ϕ	GL18
-	-	Gewicht [g]	4.5 ± 0.7
Teile-Nr.	Teilebezeichnung	Material	HD-PE

Art.-Nr.						
617.1020						
Gezeichnet	30.11.21	BBA				
Geprüft	30.11.21	MFE				
Ind	Änderungs-Nr.	Datum	Name			

Allgemeintoleranzen DIN 16742 - TG7

1 bis 3	> 3 bis 6	> 6 bis 10	> 10 bis 18	> 18 bis 30
± 0.20	± 0.29	± 0.35	± 0.42	± 0.50
> 30 bis 50	> 50 bis 80	> 80 bis 120	> 120 bis 180	> 180 bis 250
± 0.60	± 0.90	± 1.25	± 1.45	± 1.60

Methadon-Fläschchen PE natur
20 ml ohne Verschluss

11.013

Ersetzt durch	Ersatz fuer	Masstab 2:1
		DIN A3

Abgelegt unter 11013 in der DB

müller+krempel

14.031.02



Product Regulatory Overview (PRO) Marlex® HHM 5502BN High Density Polyethylene

Product Manufacturer

Chevron Phillips Chemical Company LP

Chemical Inventories

All the components of this product are listed on

AUSTRALIA: Australian Inventory of Industrial Chemicals (AIIC)

CANADA: Domestic Substances List (DSL)

PEOPLE'S REPUBLIC OF CHINA: Inventory of Existing Chemical Substances (IECSC)

EUROPEAN UNION: All necessary components have been registered according to Regulation (EU) No. 1907/2006 (REACH). Registration number(s) shown on the EU SDS are specific for CPChem entities.

SWITZERLAND: Exemptions from the obligation to notify/register

JAPAN: Existing & New Chemical Substances (ENCS) Inventory

KOREA: Existing Chemicals List (ECL): All substances in this product were registered, notified to be registered, or exempted from registration by CPChem through an Only Representative according to K-REACH regulations. Importation of this product is permitted if the Korean Importer of Record was included on CPChem's notifications or if the Importer of Record themselves

NEW ZEALAND: Inventory of Chemical Substances (NZIoC)

PHILIPPINES: Philippine Inventory of Chemicals and Chemical Substances (PICCS)

TAIWAN: Taiwan Chemical Substance Inventory (TCSI); On the inventory or in compliance with the inventory. Further registrations may apply.

UNITED STATES: On or in compliance with the active portion of the Toxic Substances Control Act (TSCA) Chemical Inventory

Food Contact

It is the responsibility of the packaging converter or food packager to verify that the finished article meets both the technical and regulatory requirements of the intended application.

U.S. FDA Food Contact

This product meets the requirements for polyolefin resins intended for food packaging applications as described in the FDA olefin polymer regulations 21 CFR 177.1520(c) 3.2a. The resin may be used in contact with all types of food as defined in Table 1, 21 CFR 176.170(c) and at use conditions B-H as defined in Table 2, 21 CFR 176.170(c).

This product is produced in accordance with good manufacturing practices (GMP) as outlined in 21 CFR 174.5.

European Union (EU) Food Contact

The monomer(s) and the additive(s) of this resin are listed in Annex I Table 1, Commission Regulation (EU) No 10/2011 on plastic materials and articles intended to come into contact with food and all its Amendments. The monomer(s) and the additive(s) do not have restriction(s) and specification(s) in Column 10 of Table 1, Annex I of Commission Regulation (EU) No 10/2011.



Product Regulatory Overview (PRO) Marlex® HHM 5502BN High Density Polyethylene

This product was tested for the overall and specific migration compliance per Commission Regulation (EU) No 10/2011. The tested sample thickness was 3.175 mm (125 mils). The surface-to-volume ratio was 1 dm² sample immersed in 1dl simulant. For measuring the overall migration level, this product was tested with 3% acetic acid for 10 days at 40°C, with 50% ethanol for 10 days at 40°C, and with olive oil for 10 days at 40°C. For measuring the specific migration level, this product was tested with 3% acetic acid for 10 days at 60°C, with 50% ethanol for 10 days at 60°C, and with olive oil for 10 days at 60°C. This product complies with the overall migration limit (OML) and specific migration limits (SML).

This product meets the restriction(s) on the substances in Table 1, Annex II of Commission Regulation (EU) No 10/2011 amended by Commission Regulation (EU) 2020/1245. Primary aromatic amines are not intentionally used as additives or raw materials in the manufacture of this product.

This product does not contain intentionally added genotoxic substance that would be expected to migrate from resin exceeding 0.00015 mg/kg in food or food simulant to cause genotoxic effect.

This product does not contain food additive(s) or flavoring(s) per Regulation (EC) No 1333/2008 or Regulation (EC) No 1334/2008.

This product meets the requirements of Framework Regulation (EC) No 1935/2004 on materials and articles intended to come into contact with food.

This product is produced in accordance with good manufacturing practice (GMP) as outlined in EU GMP Regulation (EC) No 2023/2006.

Swiss Food Contact

The monomer(s) and the additive(s) of this resin are listed in SR 817.023.21 Regulation on materials and articles intended to come into contact with food Annex 2.

This product was tested for the overall and specific migration compliance per Commission Regulation (EU) No 10/2011. The tested sample thickness was 3.175 mm (125 mils). The surface-to-volume ratio was 1 dm² sample immersed in 1dl simulant. For measuring the overall migration level, this product was tested with 3% acetic acid for 10 days at 40°C, with 50% ethanol for 10 days at 40°C, and with olive oil for 10 days at 40°C. For measuring the specific migration level, this product was tested with 3% acetic acid for 10 days at 60°C, with 50% ethanol for 10 days at 60°C, and with olive oil for 10 days at 60°C. This product complies with the overall migration limit (OML) and specific migration limits (SML).

Germany BfR Recommendations

This product meets the requirements on catalyst residues and residual decomposition products in German BfR Recommendations on Food Contact Materials III Polyethylene.



Product Regulatory Overview (PRO) Marlex® HHM 5502BN High Density Polyethylene

Canada Food Contact

A “Letter of No Objection” for this product has been approved by Health Canada. This product may be used as a food-contact article such as bottle, food pail, cap, and casing under and at the temperature of 212 °F (100 °C). KS07061804

China Food Contact

This polyethylene resin is an ethylene and hexene copolymer, and is listed on GB 4806.6-2016 “Standard on food-contact use plastic resin” Appendix A Table A.1, as No 101, CAS 25213-02-9. The monomer 1-hexene has SML 3 mg/kg.

The additive(s) of this resin are all listed on GB 9685-2016 “Standard on the uses of additives in food contact materials and articles”, and meet the corresponding allowed maximum use levels.

This product was tested and calculated for specific migration compliance. The tested sample thickness was 3.175 mm (125 mils). The surface-to-volume ratio was 1 dm² sample immersed in 1dl simulant.

For measuring the specific migration level, this product was tested with 50% ethanol for 10 days at 60°C, and with olive oil for 10 days at 60°C. This product met the specific migration limit (SML). With food simulants of 4% acetic acid for 10 days at 60°C and 10% ethanol for 10 days at 60°C, the specific migration levels would be expected to be lower than the level measured in olive oil for 10 days at 60°C.

This resin meets the requirements of GB 4806.6-2016.

This resin meets the requirements of GB 4806.1-2016 General safety requirements for food contact materials and articles.

This resin is produced in accordance with good manufacturing practice (GMP) as outlined in GB 31603-2015 General hygiene standard on manufacturing food contact materials and articles.

Japan Food Contact

Japanese Ministry of Health, Labor and Welfare (MHLW) published a formal Positive List (PL) System for food-contact materials (FCM) used in the manufacture of food-contact utensils, containers, and packaging (UCP).

- This product is polyethylene 1-hexene/ethylene copolymer (CAS Number 25213-02-9). It is listed on Table 1(1) Base Polymers (Plastics) as 40 Polyethylene, Ref No 982, Serial No 1, Synthetic Resin Group 5, all types of food, and maximum temperature III.
- Additive(s) in this product are all listed on Table 2 Additives, meet the maximum use limit(s), and have no other restriction.

Mercosur Food Contact

The monomer(s) of this resin are listed in Mercosur /GMC/Res. N° 02/12 and its modification GMC/Res. N° 19/21.

The additive(s) in this product are listed in Mercosur/GMC/Res. N° 39/19.



Product Regulatory Overview (PRO) Marlex® HHM 5502BN High Density Polyethylene

GMC Res. No. 20/21, "Modification of GMC Resolution No. 56/92 General Provisions for plastic containers and equipment in contact with food," is applicable to a final article.

Brazil Food Contact

The monomer(s) of this resin are listed in Anvisa RDC 56/2012 and RDC No 589.

The additive(s) of this resin are listed in Anvisa RDC 326/2019.

RESOLUTION - DRC NO. 589, DE 20 DECEMBER 2021 Article 2 is applicable to a final article.

U.S. Pharmacopeia (USP)

This product meets the standards set by the United States Pharmacopoeia USP 39 <87> Biological Reactivity Tests, in Vitro.

This product meets the standards set by the United States Pharmacopoeia USP 26 <88> Biological Reactivity Tests, in Vivo - Class VI-70°C Plastic.

This product meets the standards set by the United States Pharmacopoeia USP 39 <661.1> Plastic Materials of Construction – *Identification, Physicochemical, Extractable Metals, and Plastic Additives tests.*

European Pharmacopoeia (EUP)

This product meets the requirements of European Pharmacopoeia 3.1.3. the 10th edition "Polyolefins" materials used for the manufacture of containers.

This product meets the requirements of European Pharmacopoeia 3.1.5 the 10th edition "Polyethylene with Additives for Containers for Parenteral Preparations and for Ophthalmic Preparations."

Drug Master File (DMF)

This product is listed in U.S. FDA Type III Drug Master File 1016.

This product is listed in Health Canada Drug Master File 9389.

Regulation 1223/2009 of 2009-11-30 on Cosmetic Products

Regulation 1223/2009 is not applicable to this product when it is used as a raw material for manufacturing cosmetic containers.

EU Classification and Labeling

This product is not a dangerous substance according to Regulation (EC) No 1272/2008 on classification, labelling and packaging of substances and mixtures.

Animal-Derived Materials (ADM)/ BSE/TSE

No animal-derived materials are used in the manufacture or formulation of this product. This product can be considered free from bovine spongiform encephalopathy (BSE) and other transmissible spongiform encephalopathies (TSE).

Kosher

No animal-derived materials are used in the manufacture or formulation of this product and as such no materials of porcine/pigs, fish, shellfish, rabbits, reptiles, blood, or derived from blood are used. No grape, grape derived, ethanol, or ethanol derived materials are used. CPChem has established manufacturing practices to assure that the quality of the product is maintained during manufacture and



Product Regulatory Overview (PRO) Marlex® HHM 5502BN High Density Polyethylene

distribution. Chevron Phillips Chemical Company has not made any efforts to certify its polyethylene resins as kosher or in compliance with kosher guidelines.

Halal

No animal-derived materials are used in the manufacture or formulation of this product and as such no materials of ruminant animals (bovinae/cattle, caprine/goat, ovine/sheep), non-ruminant animals (humans, insects, fish, porcine, poultry), blood, or derived from blood are used. No ethanol, ethanol derived materials or fermented materials are used in the manufacture of this product. Chevron Phillips Chemical Company has not made any efforts to certify its polyethylene resins as halal or in compliance with halal guidelines.

Plant/ Vegetal Materials

This product utilizes a substance that is partially derived from palm oil. The sourcing is not currently confirmed as Roundtable on Sustainable Palm Oil (RSPO) certified.

USDA

The USDA recognizes FDA statements provided by material suppliers for food packaging.

California's Safe Drinking Water and Toxic Enforcement Act of 1986 (Proposition 65)

This product, as shipped, does not contain any carcinogens or reproductive toxins presently known by the State of California to cause cancer or reproductive toxicity at a level of exposure subject to the requirements of California Proposition 65. See following link for latest review date per most recent Prop 65 update.

<https://www.cpchem.com/who-we-are/environment-health-safety-security/regulatory-information>
(SELECT Prop 65 Update)

Consumer Product Safety Improvement Act of 2008 (H.R. 4040)

This product does not contain lead and phthalates. It therefore complies with the relevant sections of the Consumer Product Safety Improvement Act of 2008 (H.R. 4040).

Clean Air

This product does not contain any ozone depleting substances, including those listed in Regulation (EC) No 1005/2009.

This product does not contain any of the following substances regulated by the Clean Air Act:

- Class I or Class II Ozone-Depleting Substances (CAA Section 602)

Heavy metals, RoHS, WEEE, Waste packaging, CONEG

No heavy metals (i.e., antimony, arsenic, barium, cadmium, chromium, lead, mercury, selenium, or silver) are purposely added to this product in quantities that would violate governmental guidelines. The summation of lead, cadmium, mercury, and hexavalent chromium in this product is less than 20 ppm. No polybrominated biphenyls (PBB), polybrominated diphenyl ethers (PBDE), deca brominated



Product Regulatory Overview (PRO) Marlex® HHM 5502BN High Density Polyethylene

diphenyl ethers (Deca BDE), or phthalates are intentionally added to this product. This product therefore meets the relevant requirements of the following Directives or Regulations:

- Directive (EU) 2017/2102, 2015/863/EU, 2011/65/EU and 2002/95/EC (RoHS)
- China RoHS directive SJ/T 11363-2006
- 2002/96/EC and 2012/19/EU (WEEE)
- 2000/53/EC (ELV)
- 94/62/EC, 2005/20/EC, and 2013/2/EU (Packaging Waste Directive)
- USA CONEG Regulation / Model Toxics in Packaging Legislation
- California Toxics in Packaging Prevention Act

ICHs: Elemental Impurities and Residual Solvents

This product as shipped does not intentionally contain, except chromium (trivalent), the metals described in the ICH Harmonized Guideline for Elemental Impurities Q3D dated 22 March 2019 (including Cd, Pb, As, Hg, Co, V, Ni, Tl, Au, Pd, Ir, Os, Rh, Ru, Se, Ag, Pt, Li, Sb, Ba, Mo, Cu, Sn, Cr). These metals, except chromium, to the best of our knowledge are not intentionally added.

ICH/Q3C “Impurities: Guideline for Residual Solvents” is about the requirements for pharmaceuticals and as such is not applicable to polyethylene pellets, but this product, as shipped, does not intentionally contain Class I, Class II or Class III solvents. The process utilizes a diluent which is not, by definition, a solvent. The diluent used is not a substance listed as a Class I, Class II, or Class III solvent in ICH/Q3C.

Toys

This product complies with the requirements of ASTM F963, EN 71-3, EN71-9, EU Directives 2005/84/EC and 2009/48EC.

Phthalates

No phthalates, including di-(2-ethylhexyl) phthalate (DEHP), dibutyl phthalate (DBP), benzyl butyl phthalate (BBP), diisononyl phthalate (DINP), diisodecyl phthalate (DIDP), di-n-octyl phthalate (DNOP), diisobutyl phthalate (DIBP), dimethyl phthalate (DMP), and diethyl phthalate (DEP) are intentionally added to this product. This product therefore meets the requirements of the Consumer Product Safety Improvement Act of 2008 and EU Directive 2005/84/EC.

European Chemicals Agency (ECHA) Substances of Concern

This product does not contain in a concentration above 0.1% w/w any Substances of Very High Concern (SVHC) as listed on the candidate list published by ECHA as of *dated in the link below*. This product does not contain substances restricted under REACH Annex XVII (Restricted Substances List) or subject to authorization under REACH Annex XIV (Authorization List).

<https://www.cpchem.com/who-we-are/environment-health-safety-security/regulatory-information>
(SELECT MARLEX® PE)



Product Regulatory Overview (PRO) Marlex® HHM 5502BN High Density Polyethylene

Nanomaterial

This product is not a nanomaterial and does not contain any intentionally added functional nanoparticles.

Conflict Minerals

Neither tantalum, tin, gold, and tungsten, nor the minerals associated with these metals (Columbite-Tantalite, Cassiterite, Gold, or Wolframite) are intentionally added to this product. These substances are not necessary to the production of this product.

PFAS

Poly- and perfluoroalkyl substances (PFAS) or Perfluorinated Chemicals or Compounds (PFC) are not used in the formulation of this product. See Appendix for additional information.

Regulatory or Industry Lists

To the best of our knowledge this product meets the following requirements as being within stipulated limits as listed as of this date:

- Stockholm Convention Persistent Organic Pollutants (POPs): Directive 850/2004/EC, EU 2019/1021 and 2020/78 substances not used.
- Rotterdam Convention Prior Informed Consent (PIC) substances Annex III substances not used: <http://www.pic.int/TheConvention/Chemicals/AnnexIIIChemicals/tabid/1132/language/en-US/Default.aspx>
- Substances in the Japan Class I Specified Chemical list not used.
- Substances defined as Persistent, Bioaccumulating, Toxic (PBT) or very Persistent very Bioaccumulating (vPvB) per EU not used.
- Global Automotive Declarable Substances List (GADSL), does not contain substances at or above the restricted limits
- Chemicals of High Concern to Children in Children's Products (CHCC): does not contain reportable substances as specified in the CHCC regulations of the states of Oregon, Washington, Vermont and Maine
- US Lacey Act, EU Timber Regulation 995/2010; [FLEGT](#) or [CITES](#) licenses: This requirement is not applicable to polyethylene pellets, this product does not utilize timber or timber products.

Substances and Chemicals

None of the following substances are intentionally used as additives or raw materials in the manufacture of this product.

- Abietic acid
- Acrylamide
- Acrylonitrile, acrylonitrile co-polymers, or Polyacrylonitrile (PAN)
- Aflatoxin and Mycotoxin; or derivatives of these substances
- Alkylphenols
- Alkylphenol Ethoxylates, including nonylphenol ethoxylate and octylphenol ethoxylate
- Allergens, including but not limited to those listed in EU Regulation 1169/2011, Directives 2000/13/EC, 2003/89/EC, and Section B.01.010.1 (1) of Canadian Regulation C.R.C., c. 870,



Product Regulatory Overview (PRO) Marlex[®] HHM 5502BN High Density Polyethylene

and US FDA Food Allergen Labeling and Consumer Protection Act of 2004 (FALCPA) such as: peanuts, tree nuts, milk, eggs, wheat gluten, soybeans, sesame, fish and shellfish

- Aromatic amines
- Asbestos
- Azo and azoxyalkyl compounds (e.g. Azodicarbonamide)
- Benzophenone
- 2,2-Bis(4-hydroxyphenyl)propane bis(2,3-epoxypropyl) ether (BADGE), Bis (hydroxyphenyl)methane bis(2,3-epoxypropyl) ether (BFDGE), and/or Novolac glycidyl ethers (NOGE)
- Biocides (e.g. as defined by Biocidal Products Regulation (BPR) 528/2012 and 334/2014).
- Bisphenol compounds, including but not limited to: BPA, BPAF, BPB, BPC, BPE, BPF, BPH, BPS, and BPZ
- Brominated or halogenated flame retardants
- Butylated Hydroxytoluene (BHT), Butylated Hydroxyanisole (BHA), and Tertiary butylhydroquinone (TBHQ)
- Chlorofluorocarbons (CFC), hydrochlorofluorocarbons (HCFC), hydrofluorocarbons (HFC)
- Chlorinated paraffins, Chlorinated hydrocarbons
- Colophony (also known as wood rosin, gum rosin, tree rosin or yellow rosin CAS No.[®] 8050-09-7)
- Colorants, dyes or pigments e.g. Green 7 CAS No.[®] 1328-53-6, Green 36, Pigment Red 104 CAS No.[®] 12656-85-8, Yellow #5, CI Pigment Yellow 34 CAS No.[®] 1344-37-2, Yellow 138 CAS No.[®] 14302-13-7, Violet 23 CAS No.[®] 215247-95-3; EU resolution AP(89) not applicable, colorants not contained
- Cyanuric acid
- Di(ethylhexyl) adipate (DEHA), diethyl hydroxyl amine (DEHA), or di(ethylhexyl)maleate (DEHM)
- Dimethylfumarate (DMF)
- Dioxins or furans; or derivatives of these substances
- Dyes: See Colorants
- Endocrine disruptors e.g. Alkylphenol ethoxylate (APE), Nonylphenol ethoxylate (NPE), Octylphenol ethoxylate (OPE); EPA Tier 1 Screening List, EU Medical Directive Restrictions (MDR), EU ECHA ED Screening List
- Epoxy derivatives listed in EU Directives 2002/16/EC and 1895/2005
- Epoxidized Soybean Oil
- FDA Banned Food Additives: benzophenone, ethyl acrylate, eugenyl methyl ether, myrcene, pulegone, pyridine, styrene
- Formaldehyde (for additional information related to aldehydes and processing see the SDS)
- Fungicides, preservatives (for the purpose of preserving food in packaging), or fumigants
- Genetically-modified organisms (GMO)
- Halogens
- Human materials, derivatives of human materials, blood, blood plasma, or blood products
- Isocyanates
- Melamine



Product Regulatory Overview (PRO) Marlex® HHM 5502BN High Density Polyethylene

- Methyl bromide
- Microorganisms, yeast, or bacteria not intentionally contained
- Mineral Oil Saturated Hydrocarbons (MOSH) or Mineral Oil Aromatic Hydrocarbons (MOAH)
- Natural rubber latex, dry natural rubber, or synthetic latex
- Nitrites, Nitrates, Nitrosamines, Nitrosamines impurities: N-nitrosodimethylamine (NDMA), N-Nitrosodiethylamine (NDEA), N-diisopropylnitrosoamine (NDIPA), N-ethyl-N-isopropylnitrosoamine (NEIPA); or nitrosating reagent NaNO₂.
- Nitrocellulose
- Nonyl phenol (NP)
- Optical brighteners
- Organotin compounds
- Ozone-depleting chemicals
- Parabens (e.g. ethyl paraben, propyl paraben, butyl paraben)
- Perchlorates
- Pesticides, fungicides, and rodenticides
- Photoinitiators, including: benzophenone, hydroxybenzophenone, and 4-methylbenzophenone, and Isopropylthioxanthone (ITX)
- Plasticizers
- Polycyclic aromatic hydrocarbons (PAH), also called polyaromatic hydrocarbons
- Polybrominated Diphenyl Ethers (PBDEs) included: decaBDE, octaBDE, and pentaBDE
- Polycarbonates
- Polychlorinated and Polybrominated Biphenyls (PCBs and PBBs)
- Polychlorinated and Polybrominated Terphenyls (PCTs and PBTs)
- Radioactive Substances: No radiation sources are used to alter the product characteristics.
- Recycled materials (i.e. No post-consumer recycled materials utilized.)
- Silicone a.k.a. Polydimethylsiloxane (PDMS) or Silicone Oil CAS No.® 63148-62-9 not intentionally contained
- Siloxanes not intentionally contained
- Sulfonamides
- Triclosan (2,4,4'-trichloro-2'-hydroxydiphenylether), Triclocarban
- Tris-Nonylphenol Phosphite (TNPP)
- Vinylidene chloride (Dichloroethene), Vinyl Chloride Monomer (VCM), Polyvinyl Chloride (PVC), Polyvinylidene Dichloride (PVDC) CAS® Number 9002-85-1 or copolymers

Marlex® Polyethylene PRO Appendix

For additional information, please see the following link.

<https://www.cpchem.com/who-we-are/environment-health-safety-security/regulatory-information>
(SELECT "Appendix: MARLEX® Polyethylene")

It is the responsibility of the customer to check compliance of the final articles with the relevant legislative and applicable regulatory requirements including their restrictions.



Product Regulatory Overview (PRO) Marlex® HHM 5502BN High Density Polyethylene

Disclaimer: *Before using this product, the user is advised and cautioned to make its own determination and assessment of the safety and suitability of the product for the specific use in question and is further advised against relying on the information contained herein as it may relate to any specific use or application. It is the ultimate responsibility of the user to ensure that the product is suited and the information is applicable to the user's specific application. Chevron Phillips Chemical Company LP and Saudi Polymers Company (SPCo), do not make, and expressly disclaim, all warranties, including warranties of merchantability or fitness for a particular purpose, regardless of whether oral or written, express or implied, or allegedly arising from any usage of any trade or from any course of dealing in connection with the use of the information contained herein or the product itself. The user expressly assumes all risk and liability, whether based in contract, tort or otherwise, in connection with the use of the information contained herein or the product itself. Further, information contained herein is given without reference to any intellectual property issues, as well as federal, state or local laws which may be encountered in the use thereof. Such questions should be investigated by the user.*

Additional information on the health and safety aspects of our product is listed in the SDS of the product.

Address: Chevron Phillips Chemical Company LP, 10001 Six Pines Drive, The Woodlands, TX 77380

Website: <http://www.cpchem.com/en-us/ehs/pages/productregulatoryoverviews.aspx>

Saudi Polymers Company, P.O. Box 11221, Jubail Industrial City, Saudi Arabia 31961